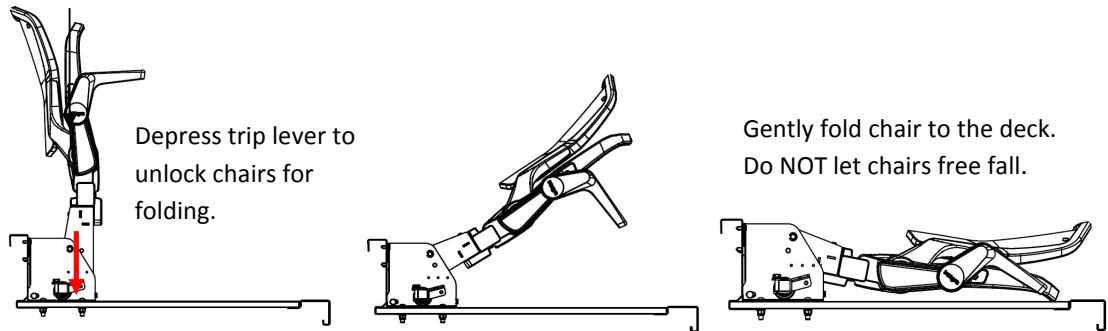


# Seat Fold Down Options

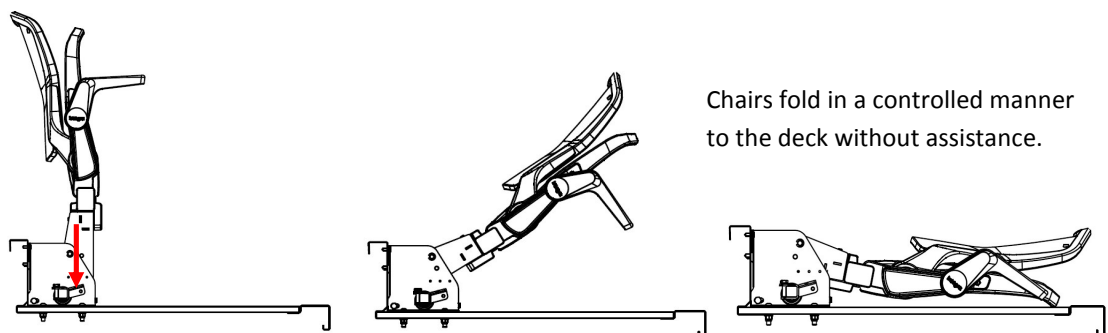
## MANUAL

Integrated foot bar mechanism that trips the chairs and allows for an easy fold. No spring assist with setting chairs up - 4 chairs per operation.



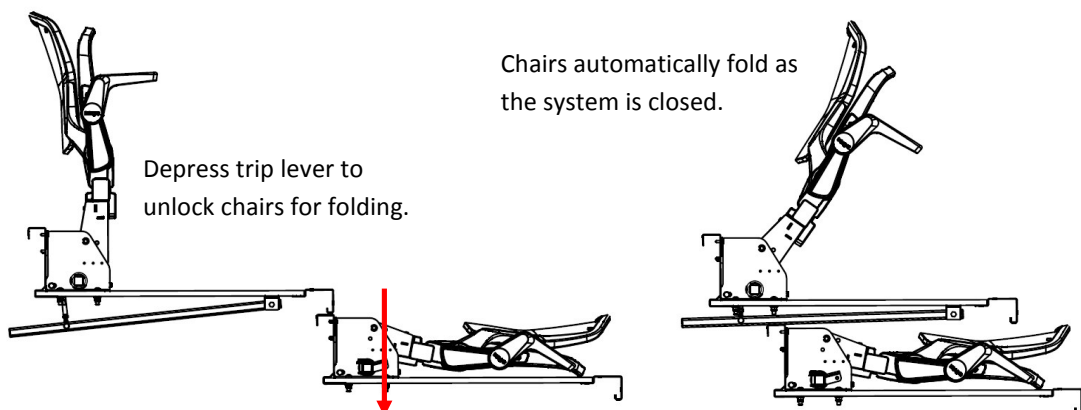
## MANUAL SEMI-AUTO

Integrated foot bar mechanism that trips the chairs and allows for an easy fold. Spring assisted when raising the chairs to the upright position and dampening on lowering the chairs to the deck - 12 chairs per operation.



## SEMI-AUTOMATIC

Spring assist with setting up chairs when the platform is open. Chairs automatically fold down as the system is closing - 12 chairs per operation.



<b>Operation</b>	<b>Min. Chairs per Beam</b>	<b>Max. Chairs per Beam</b>	<b>Exceptions</b>
Manual Operation	1	4	Tablet Arm is Min. (2) Chairs per Beam
Semi-Auto (Foot Release)	2	12	No Tablet Arms
Semi-Auto (Auto Release)	2	12	No Tablet Arms

\*\*The ratio of chairs to mechanisms is 2:1. Therefore, (4) mechanisms are required on a chair beam that has (8) chairs.